

Introduced by: Council Present

AN ORDINANCE AMENDING SECTION 515.120 BY DELETING CURRENT LANGUAGE AND REPLACING WITH NEW LANGUAGE FOR REPAIRING SIDEWALKS BY THE CITY

WHEREAS, The City Council finds it necessary to establish formal guidelines for determining repairs for city sidewalks.

Now, Therefore, Be it ordained by the City Council of the City of Berkeley, Missouri, as follows:

* * * * *

Section 515.120. Repair of Sidewalks by City.

Delete: [CC 1961 §17.14; Ord. No. 1066, 9-15-1958] No formality shall be required for the repair of condemned, defective sidewalks or for making assessments therefor; but the Director of Public Works, with notice to the property owner, may cause such work to be done, keep an account of the cost thereof, and report the same to the Council for assessment, after first allowing the property owner fifteen (15) days to perform the repairs.

Insert: new language for formal repairs

Section 1: Sidewalk Evaluation

A sidewalk shall be considered defective when exhibiting one or more of the following characteristics:

FIGURE "A": Sidewalk faulted at joint or crack with 1" or more deflection.

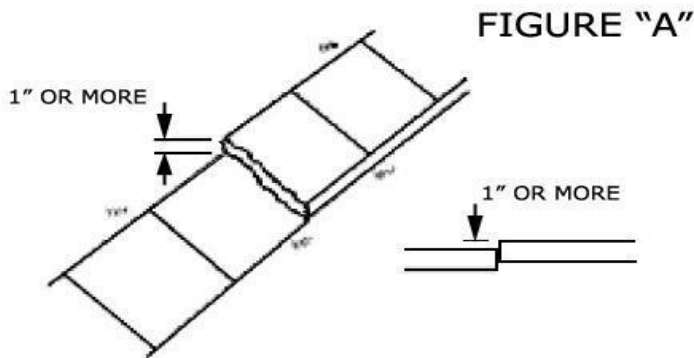


FIGURE "B": Sidewalk raised more than 2" in 8 ft. from normal profile line of sidewalk.

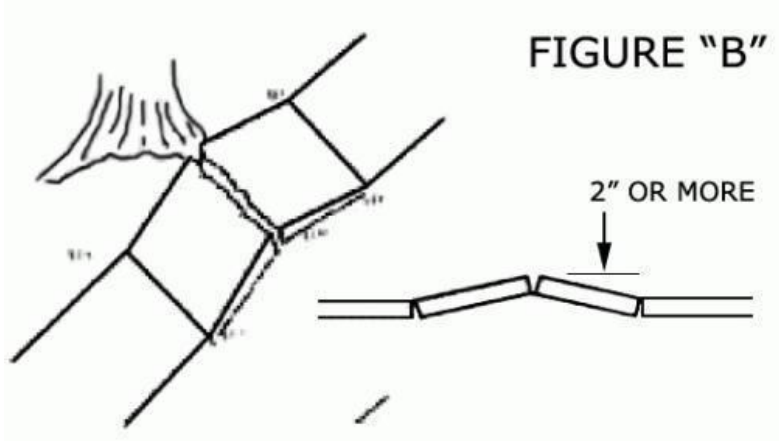


FIGURE "C": Sidewalk sunken more than 2" in 8 ft. from normal profile line of sidewalk.

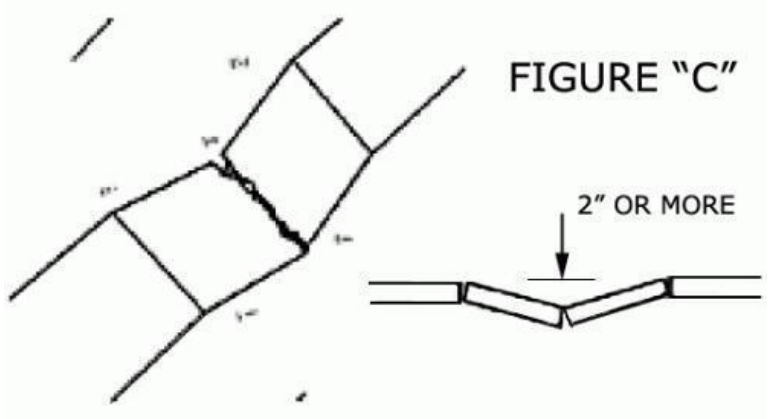


FIGURE "D": Sidewalk cracked into 3 or more pieces per panel, or any single crack with 1/2" or greater openings.

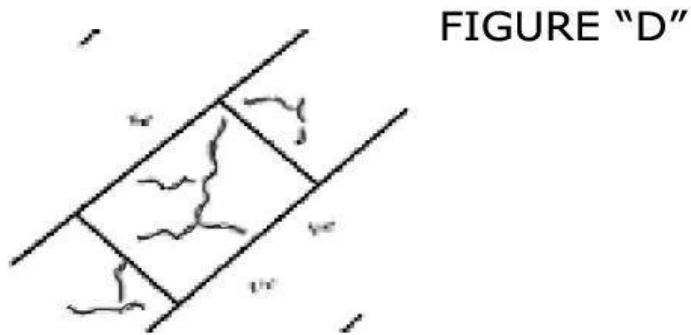


FIGURE "E": Sidewalk cracked and/or spalled (smaller crater like holes deeper then 3/8") with part of sidewalk missing and forming holes deeper than 3/8 inch.

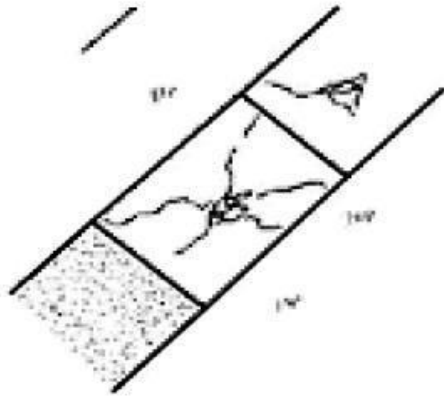


FIGURE "E"

Section 2: Additional defects such as, severe scaling, wide horizontal cracks, missing concrete or brick, utility valves, etc., can cause a condition which may be unsafe. These conditions are not necessarily quantifiable and, as such, will be handled in the best judgment of the Director of Public Works or designee. .

Section 3: This Ordinance shall be in full force and effect from and after its passage.

1st Reading this 17th day of July 2017

2nd Reading this _____ day of _____ 2017

3rd Reading, PASSED and APPROVED, this _____ day of _____ 2017

Theodore Hoskins, Mayor

ATTEST:

Deanna L. Jones, City Clerk

Approved As To Form:
Donnell Smith, City Attorney

Final Roll Call:

Mayor Hoskins	Aye ___ Nay ___ Absent ___ Abstain ___
Councilwoman Hoskins	Aye ___ Nay ___ Absent ___ Abstain ___
Councilwoman Kirkland	Aye ___ Nay ___ Absent ___ Abstain ___
Councilwoman Mathison	Aye ___ Nay ___ Absent ___ Abstain ___
Councilman-at-Large McDaniel	Aye ___ Nay ___ Absent ___ Abstain ___
Councilwoman Mitchell	Aye ___ Nay ___ Absent ___ Abstain ___
Councilwoman Williams	Aye ___ Nay ___ Absent ___ Abstain ___