

BILL NO.: 4762

ORDINANCE NO.: _____

Introduced by: City Manager Irvin

AN ORDINANCE OF THE CITY OF BERKELEY, MISSOURI, AUTHORIZING THE MAYOR TO EXECUTE THE ATTACHED AGREEMENT WITH DEKA SERVICES FOR THE AC REPLACEMENT PROJECT AT THE CIVIC CENTER

NOW, THEREFORE, BE IT ORDAINED BY THE CITY COUNCIL OF THE CITY OF BERKELEY, MISSOURI, AS FOLLOWS:

Section 1. The Mayor is hereby authorized to execute the attached Agreement with Dekka Services for AC replacement project at the Civic Center according to Bid #895.

Section 2. The attached agreement is hereby incorporated herein and made a part of this ordinance, as if fully set out herein.

Section 3. This Ordinance shall be in full force and effect upon its passage.

1st Reading this _____ day of _____ 2020

2nd Reading this _____ day of _____ 2020

3rd Reading, PASSED and APPROVED, this _____ **day of** _____ **2020**

Theodore Hoskins, Mayor

ATTEST:

Deanna L. Jones, City Clerk

Approved as To Form:
Donnell Smith, City Attorney

Final Roll Call:

Mayor Hoskins	Aye ___	Nay ___	Absent ___	Abstain ___
Councilwoman Hoskins	Aye ___	Nay ___	Absent ___	Abstain ___
Councilwoman Mitchell	Aye ___	Nay ___	Absent ___	Abstain ___
Councilwoman Williams	Aye ___	Nay ___	Absent ___	Abstain ___
Councilwoman-at-Large Greene	Aye ___	Nay ___	Absent ___	Abstain ___
Councilman Hindeleh	Aye ___	Nay ___	Absent ___	Abstain ___
Councilwoman Anthony	Aye ___	Nay ___	Absent ___	Abstain ___

REPORT TO CITY COUNCIL



To: Honorable Mayor of Berkeley and City Council
From: Charles Tammons, Parks Supervisor
Thru: Debra M. Irvin, City Manager
Date: January 28, 2020
Subject: Approval of Bid #895, 2020 AC Replacement Civic Center

A bid opening was held on January 22, 2020 at 10:00 a.m. in the Berkeley Council Chambers for the 2020 AC Replacement at Civic Center. There was only one (1) company that submitted a sealed bid.

The results are as follows:

1. *Deka Services, 1802 Larkin Williams Road, Fenton MO 63026*

RECOMMENDATION

I am recommending **Deka Services, 1802 Larkin Williams Road, Fenton MO 63026**, for the 2020 AC Replacement at Civic Center, they are the most responsive bidder, per the bid opening. They will provide three-year maintenance agreement with new install, one-year parts warranty on new system.

SUPPORTING DOCUMENTS

Please find attached the Proposed 2020 Contract Agreement for Deka Services and the bid results from the Bid Opening.

IMPACT ON BUDGET

\$24,017.00

BUDGET ACCOUNT

25-50-6134 - \$0 – budget line item to be adjusted in April 2020

RECOMMENDED CITY COUNCIL ACTION

Approval of the 2020 AC Replacement at Civic Center with *Deka Services, 1802 Larkin Williams Road, Fenton MO 63026*

Respectfully submitted,

BID COVER LETTER

Date: January 21, 2020

To: City of Berkeley Missouri
Deanna Jones, City Clerk
8425 Airport Rd
Berkeley, Missouri 63134

City Clerk Jones,

The undersigned, being familiarized with the existing conditions of the project affecting the cost of work, and with the Contract documents, hereby proposes to furnish all supervision, technical personnel, labor, materials, machinery, tools, appurtenances, equipment and services, including utility and transportation services required to perform the installation of a 10-Ton rooftop AC Unit replacement, and, any duct work or re-work at the Berkeley Civic Center. The contractor is to haul away old system and debris.

In submitting this bid, the bidder understands that the right is reserved by the City to reject any and all bids. Basis of award will be the total base bid of the lowest and best qualified bidder. If written notice of acceptance of this bid is mailed or delivered to the undersigned within thirty (30) days after the opening thereof, or any time thereafter before the bid is withdrawn, the undersigned agrees to execute and deliver an agreement in the prescribed form and furnish the required bond within ten (10) days after the Agreement is presented to him for signature.

Security in the sum of ten (10%) percent is submitted herewith in accordance with the INVITATION FOR BID.

The bidder shall be prepared to submit a financial and experience statement upon request.

TOTAL BID PRICE: \$ 22,896.00 + \$1,121 for 3 years Maintenance = \$24,017.00

BID NO. 895

COMPANY INFORMATION FORM

Please print legibly, except where signature is required.

Date January 21, 2020

Company Name: DEKA Service

Company Address: 1802 Larkin Williams Rd., Fenton, MO 63026

Phone Number: 636.600.1466

E-mail Address: dean@dekaservice.net

Website: www.dekaservice.net

Authorized Officer: Dean Bowlin

Signature: 

Title: President

Cell Phone Number 314.276.0804

Specifications for AC installation.

- ✓ 1. Contractor must have Saint Louis County Mechanical Contractor License. Permit required from Berkeley, however, the fee is waived.
- ✓ 2. Contractor must be licensed to install and repair commercial air conditioning systems, hot water heating systems, forced air heating systems, domestic hot water systems, evaporative coolers, and, ventilation.
- ✓ 3. Contractor must be able to provide proof of ability to service units, including annual preventative maintenance on all related controls.
- ✓ 4. Contractor must be available for after hours, weekend, and emergency calls for service. Please describe after hours service program.
- ✓ 5. All installations require permits and inspections paid for and coordinated by the contractor.
- ✓ 6. Replacement to include any and all revisions to existing ducting, electrical, gas and flue piping as necessary to accommodate new Air Conditioner installation. This includes but is not limited to installing return air and related ducts. *- AS REQUIRED*
- ✓ 7. All installations require permits and inspections paid for and coordinated by the contractor. Installations shall conform to current 2015 International Codes and 2014 National Electrical Code
- ✓ 8. Scope of Work attachment must be attached.
- ✓ 9. Note any exclusions.

Pricing Table:

Function	Price
Remove and discard of Existing Unit	\$ 908.00
Install new 10-ton rooftop AC Unit	\$ 21,988.00
Three Year Service Agreement	\$ 1,121.00
Total	\$ 24,017.00

Dr. Bl.
1/21/2020

BID NO. 895

AFFIRMATIVE ACTION STATEMENT

THE CITY OF BERKELEY, MISSOURI is an EQUAL EMPLOYMENT OPPORTUNITY EMPLOYER

We acknowledge that we will hire and develop qualified people, solely on merit and qualifications, without regard to race, color, creed, religion, sex, national origin, ancestry, handicaps or age.

While acknowledging an obligation to the community to reaffirm its Fair Employment Policy, we also reaffirm our support for the various Presidential Executive Orders and regulations of the Equal Employment Opportunity Commission. In addition, we support the applicable provisions contained in the Civil Rights Acts, the Equal Pay Law, the Age Discrimination and Employment Act and the Missouri Human Rights Act. The regulations, acts, orders and laws provide that discrimination based on race, color, creed, religion, sex, national origin, ancestry, handicaps or age is prohibited.

Our policy can be implemented only through the efforts of everyone within the company. A simple statement is not enough without full support. It is hoped that through an Equal

Opportunity Plan, a fair and equitable program might be practiced. Through such a plan, applicants and employees should feel they could become an active part of the company without fearing reprisals due to extraneous factors not related to merit or qualifications.

Signed:  _____

Position: **President** _____

Date: **January 21, 2020** _____

NOTE: THIS FORM IS VALID FOR THIS CALENDAR YEAR ONLY (2020)

Affirmative Action/Prime Vendor Questionnaire

Many of you will probably be compiling similar information for your yearly E.E.O. Reports. If this is the case, and you would prefer to wait and complete this form at that time, please feel free to do so. If you want to be placed on the prime vendor list prior to that time we can do so with a copy of your

Affirmative Action Plan

1. Name and address of your organization: DEKA Service, 1802 Larkin Williams Rd., Fenton, MO 63026
 2. Name and position of person completing this report Dean Bowlin, President
 3. We do not wish to be on your prime vendor list and are returning this form incomplete: n/a
 4. Do you consider your organization to be an Equal Employment Opportunity Employer?
Yes No
 5. Are you part of or a division of a larger parent organization? No If Yes, please give parent organization name and home office address
-

6. How many employees were on the payroll last pay period? 11
Full Time 9 Part Time 2

7. How many women were on the payroll? Full Time 1 Part Time 2

8. How many minorities were on the payroll?
Full Time Male Minority employees: 1
Full Time Female Minority employees: 0
Part Time Male Minority employees: 0
Part Time Female Minority employees: 0

9. Does your organization include in its employment advertising a phrase similar to: "We are an Equal Employment Opportunity Employer" "Yes"; or if your organization has not advertised recently, will similar phrase be included if advertising is undertaken in the future Yes No

10. Does your organization or you parent organization have an Affirmative Action Plan?
Yes No If Yes, please supply a copy of the current plan.

11. Does your organization have a designated department or person to function in the Equal Opportunity Position? Yes No If Yes, please supply the name, title, phone number and address for future correspondence.

The City of Berkeley thank you for your cooperation in filling out this form.

BID NO. 895

BID SHEET

DEKA Service (HEREINAFTER CALLED "BIDDER")

TO: THE CITY OF BERKELEY 8425 AIRPORT ROAD, BERKELEY, MO 63134

The bidder, in compliance with our Invitation to Bid for the "AC INSTALLATION – CIVIC CENTER" in the City of Berkeley, and having examined the specifications, documents, and visited the site of the proposed work, and being familiar with all of the conditions surrounding the proposed project including the availability of materials and labor, hereby proposes to furnish all equipment, labor, materials, and supplies, and to complete the project in accordance with the specifications, within the time set forth therein, and at the prices stated below:

	DESCRIPTION	UNIT PRICE
1.	<u>Remove and discard Existing Unit</u>	<u>\$ 908.00</u>
2.	<u>Install new 10-Ton Rooftop A/C Unit</u>	<u>\$ 21,988.00</u>
3.	<u>Three-Year Service Agreement</u>	<u>\$ 1,121.00</u>
	<u>Total</u>	<u>\$ 24,017.00</u>

The above unit price shall include all labor, materials, removal overhead, profit, insurance, etc., to cover the finished work of the several kinds called for.


Bidder understands that the owner reserves the right to reject any or all bids, or any combination thereof, and to waive any informalities in the bidding.

The bidder agrees that this bid shall be good and may not be withdrawn for a period of 60 (sixty) calendar days after the scheduled closing time for receiving bids.


SIGNATURE

January 21, 2020
DATE

1802 Larkin Williams Rd., Fenton, MO 63026
ADDRESS


ATTEST

AIA[®] Document A310[™] – 2010

Bid Bond

CONTRACTOR:
(Name, legal status and address)
Deka Corporation dba Deka Service

1802 Larkin Williams Rd
Fenton, MO 63026-2027

OWNER:
(Name, legal status and address)

City of Berkeley
8425 Airport Road
Berkeley, MO 63134

BOND AMOUNT: \$ Ten Percent of the Amount Bid

PROJECT:
(Name, location or address, and Project number, if any)
COMMERCIAL AC REPLACEMENT

SURETY:
(Name, legal status and principal place of business)

West Bend Mutual Insurance Company
PO Box 620976
Middleton, WI 53562

ADDITIONS AND DELETIONS:
The author of this document has added information needed for its completion. The author may also have revised the text of the original AIA standard form. An *Additions and Deletions Report* that notes added information as well as revisions to the standard form text is available from the author and should be reviewed. A vertical line in the left margin of this document indicates where the author has added necessary information and where the author has added to or deleted from the original AIA text.

This document has important legal consequences. Consultation with an attorney is encouraged with respect to its completion or modification.

Any singular reference to Contractor, Surety, Owner or other party shall be considered plural where applicable.

The Contractor and Surety are bound to the Owner in the amount set forth above, for the payment of which the Contractor and Surety bind themselves, their heirs, executors, administrators, successors and assigns, jointly and severally, as provided herein. The conditions of this Bond are such that if the Owner accepts the bid of the Contractor within the time specified in the bid documents, or within such time period as may be agreed to by the Owner and Contractor, and the Contractor either (1) enters into a contract with the Owner in accordance with the terms of such bid, and gives such bond or bonds as may be specified in the bidding or Contract Documents, with a surety admitted in the jurisdiction of the Project and otherwise acceptable to the Owner, for the faithful performance of such Contract and for the prompt payment of labor and material furnished in the prosecution thereof; or (2) pays to the Owner the difference, not to exceed the amount of this Bond, between the amount specified in said bid and such larger amount for which the Owner may in good faith contract with another party to perform the work covered by said bid, then this obligation shall be null and void, otherwise to remain in full force and effect. The Surety hereby waives any notice of an agreement between the Owner and Contractor to extend the time in which the Owner may accept the bid. Waiver of notice by the Surety shall not apply to any extension exceeding sixty (60) days in the aggregate beyond the time for acceptance of bids specified in the bid documents, and the Owner and Contractor shall obtain the Surety's consent for an extension beyond sixty (60) days.

If this Bond is issued in connection with a subcontractor's bid to a Contractor, the term Contractor in this Bond shall be deemed to be Subcontractor and the term Owner shall be deemed to be Contractor.

When this Bond has been furnished to comply with a statutory or other legal requirement in the location of the Project, any provision in this Bond conflicting with said statutory or legal requirement shall be deemed deleted herefrom and provisions conforming to such statutory or other legal requirement shall be deemed incorporated herein. When so furnished, the intent is that this Bond shall be construed as a statutory bond and not as a common law bond.

Init.
/

Signed and sealed this 21 day of January , 2020

Karla J. Dalton
(Witness)

Ashley D.
(Witness)

Deka Corporation dba Deka Service
(Contractor as Principal)

DEAN BOWLIN PRESIDENT
(Title)

West Bend Mutual Insurance Company
(Surety) (Seal)

Sandra Dawsin
(Title) SANDRA DAWSIN , Attorney-In-Fact



Int.



THE SILVER LINING®

Bond No. 2428714

POWER OF ATTORNEY

Know all men by these Presents, That West Bend Mutual Insurance Company, a corporation having its principal office in the City of West Bend, Wisconsin does make, constitute and appoint:

SANDRA DAWSIN

lawful Attorney(s)-in-fact, to make, execute, seal and deliver for and on its behalf as surety and as its act and deed any and all bonds, undertakings and contracts of suretyship, provided that no bond or undertaking or contract of suretyship executed under this authority shall exceed in amount the sum of:

Ten Million Dollars (\$10,000,000)

This Power of Attorney is granted and is signed and sealed by facsimile under and by the authority of the following Resolution adopted by the Board of Directors of West Bend Mutual Insurance Company at a meeting duly called and held on the 21st day of December, 1999.

Appointment of Attorney-In-Fact. The president or any vice president, or any other officer of West Bend Mutual Insurance Company may appoint by written certificate Attorneys-In-Fact to act on behalf of the company in the execution of and attesting of bonds and undertakings and other written obligatory instruments of like nature. The signature of any officer authorized hereby and the corporate seal may be affixed by facsimile to any such power of attorney or to any certificate relating thereto and any such power of attorney or certificate bearing such facsimile signatures or facsimile seal shall be valid and binding upon the company, and any such power so executed and certified by facsimile signatures and facsimile seal shall be valid and binding upon the company in the future with respect to any bond or undertaking or other writing obligatory in nature to which it is attached. Any such appointment may be revoked, for cause, or without cause, by any said officer at any time.

In witness whereof, the West Bend Mutual Insurance Company has caused these presents to be signed by its president undersigned and its corporate seal to be hereto duly attested by its secretary this 22nd day of September, 2017.

Attest Christopher C. Zwygart
Christopher C. Zwygart
Secretary



Kevin A. Steiner
Chief Executive Officer/President

State of Wisconsin
County of Washington

On the 22nd day of September, 2017, before me personally came Kevin A. Steiner, to me known being by duly sworn, did depose and say that he resides in the County of Washington, State of Wisconsin; that he is the President of West Bend Mutual Insurance Company, the corporation described in and which executed the above instrument; that he knows the seal of the said corporation; that the seal affixed to said instrument is such corporate seal; that it was so affixed by order of the board of directors of said corporation and that he signed his name thereto by like order.



Juli A. Benedum
Senior Corporate Attorney
Notary Public, Washington Co., WI
My Commission is Permanent

The undersigned, duly elected to the office stated below, now the incumbent in West Bend Mutual Insurance Company, a Wisconsin corporation authorized to make this certificate, Do Hereby Certify that the foregoing attached Power of Attorney remains in full force effect and has not been revoked and that the Resolution of the Board of Directors, set forth in the Power of Attorney is now in force.

Signed and sealed at West Bend, Wisconsin this 21st day of January, 2020.



Heather Dunn
Vice President - Chief Financial Officer

Notice: Any questions concerning this Power of Attorney may be directed to the Bond Manager at NSI, a division of West Bend Mutual Insurance Company.

BID DETAIL SHEET (Scope of Work)

Customer: City of Berkley, MO
Project: Replace 10 Ton A/C System at Civic Center

This Bid Detail Sheet shall serve to clarify details significant to our proposal but not included on the required bid forms.

1. SCOPE OF WORK

- 1.1. The existing 10 Ton A/C system will be directly replaced with a nearly identical system. A new air handling unit, A/C condensing unit and thermostat is included.
- 1.2. Existing ductwork will be modified to accommodate the new system. New sheet metal will be added where required.

2. EXCLUSIONS TO SCOPE OF WORK

- 2.1. No exclusions.

3. CLARIFICATIONS

- 3.1. All electrical, plumbing, sheet metal and rigging work is included in the proposed price.
- 3.2. Our proposal is for a Split-System with the condenser located on the roof just like the current on that is nearly duplicate of the existing system.
- 3.3. Equipment delivery lead-times: The system is currently available within approximately 2-3 weeks from date of order.
- 3.4. Work will be scheduled in advance and coordinated with customer. Customer must provide access to facilities for planned work and allow DEKA Service to shut down equipment when required.

4. SUBCONTRACTORS

- 4.1. The following subcontractors will be used onsite for this project. DEKA Service maintains current insurance certificates for all our subcontractors.

Discipline/Trade	Subcontractor Name	MBE/DBE	Address	Phone	Contact Name
Electrical	X-Cell Electric, LLC	MBE	1148 Saint Theresa Ln O Fallon, MO 63368	636.272.2279	Jose Madrid





Proposal

PROPRIETARY AND CONFIDENTIAL PROPERTY OF Trane DISTRIBUTION TO OTHER THAN THE NAMED RECIPIENT IS PROHIBITED

Prepared For: Dean Bowlin

Date: January 17, 2020

Job Name: City of Berkley Civic Center

Payment Terms: Net 30 Days

Delivery Terms: Freight Allowed and Prepaid

Trane U.S. Inc. is pleased to provide the following proposal for your review and approval.

Tag Data - Odyssey Split System Indoor Unit (Qty: 1)

Item	Qty	Description	Model Number
A1	1	10 Ton Indoor	TWE12043BAA--A

Product Data - Odyssey Split System Indoor Unit

Item: A1 Qty: 1

Air Handler
10 Tons
R-410A
208-230/60/3
Dual Circuit
Standard Motor

Tag Data - Odyssey Split System Outdoor Unit (Qty: 1)

Item	Qty	Description	Model Number
B1	1	10 Ton Outdoor	TTA12043DAB--AE

Product Data - Odyssey Split System Outdoor Unit

Item: B1 Qty: 1

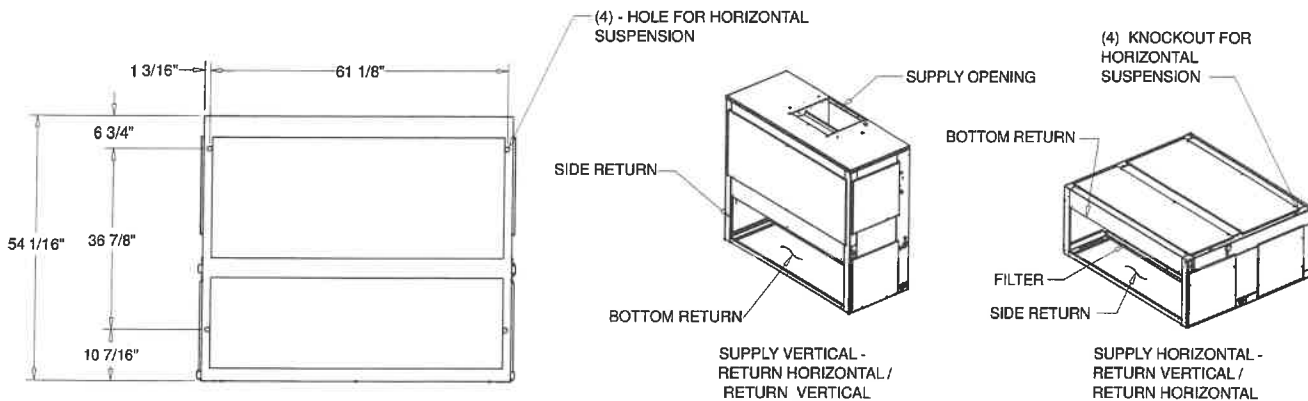
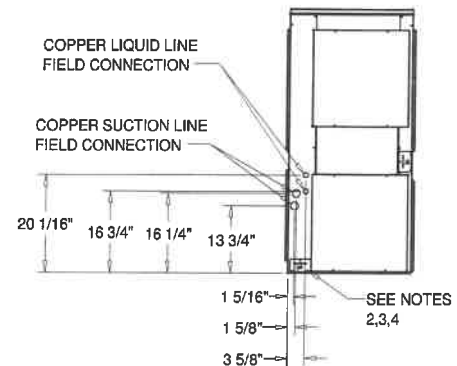
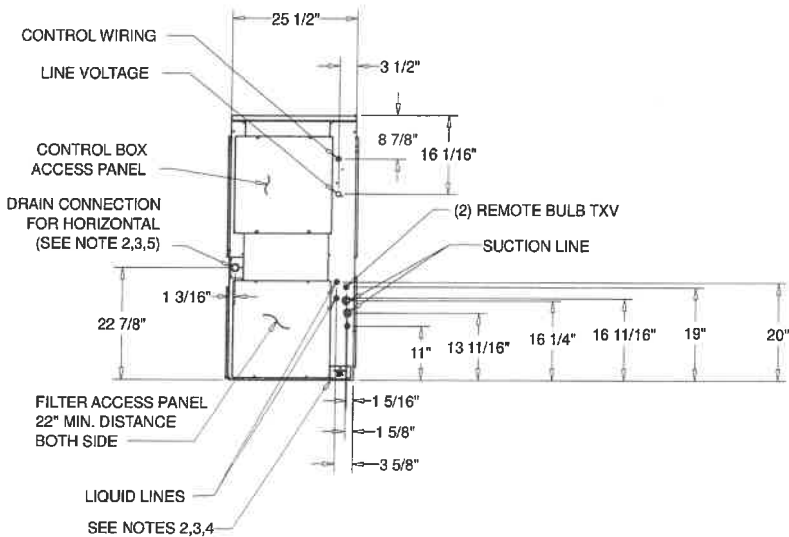
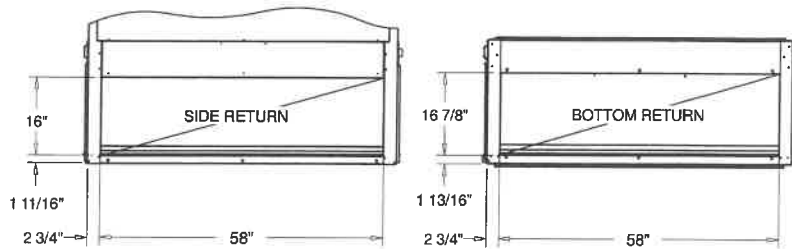
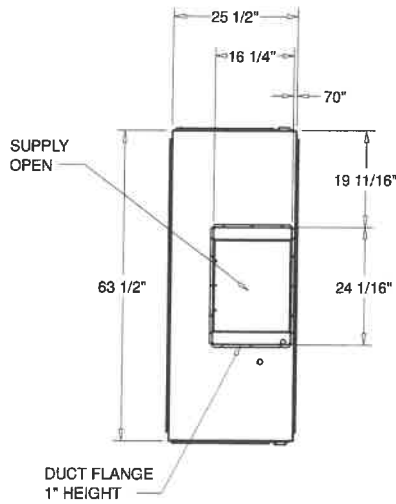
Cooling (TTA)
10 Tons
R-410A Refrigerant
208-230/60/3
Dual Compressors / Dual Circuit
Electromechanical
1 Low Ambient Modulating (ICM) (Fld)
Pressure Transducer for ICM (Fld)

Unless specifically noted, the price proposed includes Trane's standard one year parts warranty.

Unit Dimensions - Odyssey Split System Indoor Unit
Item: A1 Qty: 1

NOTES:

1. PANEL DEPTH 1/2" (TYP. ALL PANELS).
2. REMOVABLE DRAIN PAN AND ATTACHED DRAIN CONNECTION MAY BE INSTALLED ON END OF UNIT IN EITHER THE VERTICAL OR HORIZONTAL CONFIGURATION, PLASTIC DRAIN PAN ACCESS PLATE ON THE END OF UNIT OPPOSITE DRAIN CONNECTION MUST BE REMOVED TO SLIDE DRAIN PAN OUT OF UNIT FOR CLEANING. ACCESS PLATE MUST BE RE-INSTALLED AFTER SLIDING DRAIN PAN BACK INTO UNIT.
3. IF PERIODIC DRAIN PAN CLEANING IS REQUIRED, ALLOW ROOM FOR PARTIAL REMOVAL OF DRAIN PAN CONNECTION AT END OF UNIT.
4. 1" FEMALE SCHED. 40 PVC PIPE DRAIN CONNECTION VERTICAL CONFIGURATION.
5. 1" FEMALE SCHED. 40 PVC PIPE DRAIN CONNECTION HORIZONTAL CONFIGURATION.



10 TON AIR HANDLER (DUAL CIRCUIT)
 DIMENSIONAL DRAWING

Unit Dimensions - Odyssey Split System Indoor Unit
Item: A1 Qty: 1

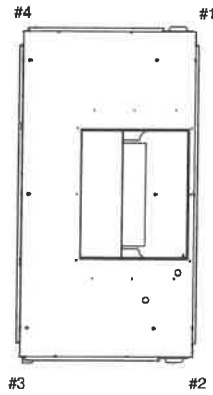
AIR HANDLER ELECTRICAL DATA

ELECTRICAL DATA Model: TWE120 Convertible 460 Voltages Unit Operating Voltage: 187-253 TWE120 414-506 Minimum Circuit Ampacity: 9.0 - 7.3 3.6 Maximum Fuse Size: 15.0 - 15.0 15.0 Maximum Circuit Breaker: 15.0 - 15.0 15.0		EVAPORATOR FAN MOTOR (9) Convertible 460 Voltages No.: 1 1 Volts: 208-230 460 Phase: 3 3 Motor HP: 2.0 2.0 Amp-FLA: 7.0/6.6 3.3 Amp-LRA: 33.9 - 33.9 19.0	
GENERAL DATA			
SYSTEM DATA No. Refrigerant Circuits: 2 Suction Line (in.) OD: 1 1/8" Liquid Line (in.) OD: 1/2"		INDOOR COIL - TYPE Tube Size: 3/8" Face Area: 11 3/16" Row/FPI: 4 / 14 Refrigerant Control: EXPANSION VALVE Drain Connection Size: 1" PVC	
INDOOR FAN Type: CENTRIFUGAL No. Used/Diameter x Width: 1 / 15"X15" Drive Type/No. Speed: BELT/ADJUSTABLE CFM: 4000 No. Motor: 1 Motor HP - Standard/Oversized: 2.0 / 3.0 Motor RPM: 1725 Motor Frame Size: 56Z		FILTER Type: THROWAWAY Furnished: YES No. Size Recommended: (4) 16"X25"X1"	
HEATER DATA			
ELECTRICAL DATA Heat Rating (kW): Control Stages: Power Supply: Minimum Circuit Ampacity: Maximum Fuse Size: Maximum Circuit Breaker:		Notes: 1. KW ratings are at: 208/240V for 208-230V air handlers 480V for 460V air handlers 600V for 575V air handlers For other than rated voltage, capacity = ($\frac{\text{Voltage}}{\text{Rated Voltage}}$) x 2 Rated Capacity 2. Any power supply and circuits must be wired and protected in accordance with local electrical codes. 3. The HACR circuit breaker is for U.S.A. installations only. 4. With motor field converted to 460V.	

NOTES:

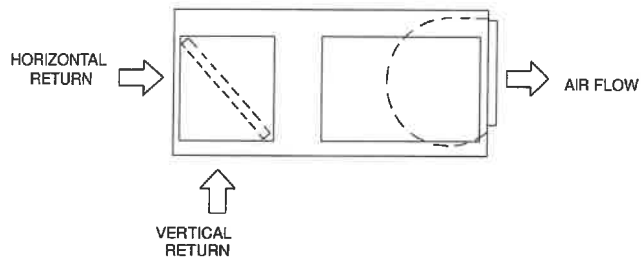
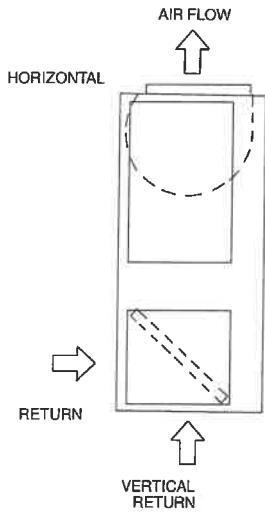
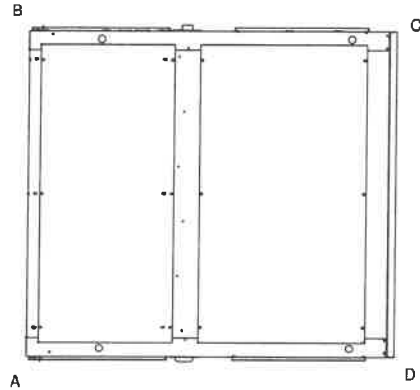
- Cooling performance is rated at 95 F ambient, 80 F entering dry bulb, 67 F entering wet bulb.
- Gross capacity does not include the effect of fan motor heat. AHRI capacity is net and includes the effect of fan motor heat. Ratings shown are tested and certified in accordance with AHRI Standard 340/360 or 365 certification program.
- Condensing Unit Only Gross Cooling Capacity rate at 45 F saturated suction temperature and at 95 F ambient.
- AHRI Net Cooling Capacity is calculated with matched blower coil and 25 ft. of OD interconnecting tubing. EER is rated at AHRI conditions and in accordance with DOE test procedures.
- Integrated Part Load Value is based on AHRI Standard 340/360 or 365. Units are rated at 80 F ambient, 80 F entering dry bulb, and 67 F entering wet bulb at AHRI rated CFM.
- Sound Rating shown is tested in accordance with AHRI Standard 270.
- Refer to refrigerant piping program for line sizing and line length.
- Refrigerant (operating) charge is for condensing unit (all circuits) with matching blower coils and 25 ft. of interconnecting refrigerant lines. All units are shipped with a small nitrogen holding charge only.
- Second Column data Coverable to 460 volt

Weight, Clearance & Rigging Diagram - Odyssey Split System Indoor Unit
Item: A1 Qty: 1



WEIGHTS AND CORNER WEIGHTS

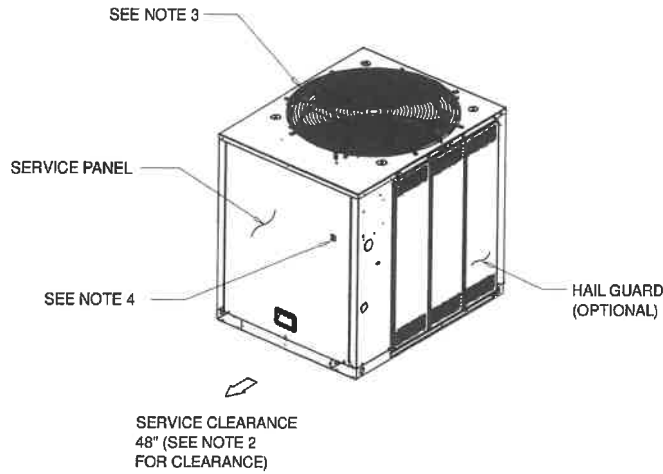
Shipping:	429.0 lb
Net:	393.0 lb
VERTICAL	
Corner 1:	77.0 lb
Corner 2:	121.0 lb
Corner 3:	110.0 lb
Corner 4:	85.0 lb
HORIZOTNAL	
Corner A:	79.0 lb
Corner B:	118.0 lb
Corner C:	77.0 lb
Corner D:	119.0 lb



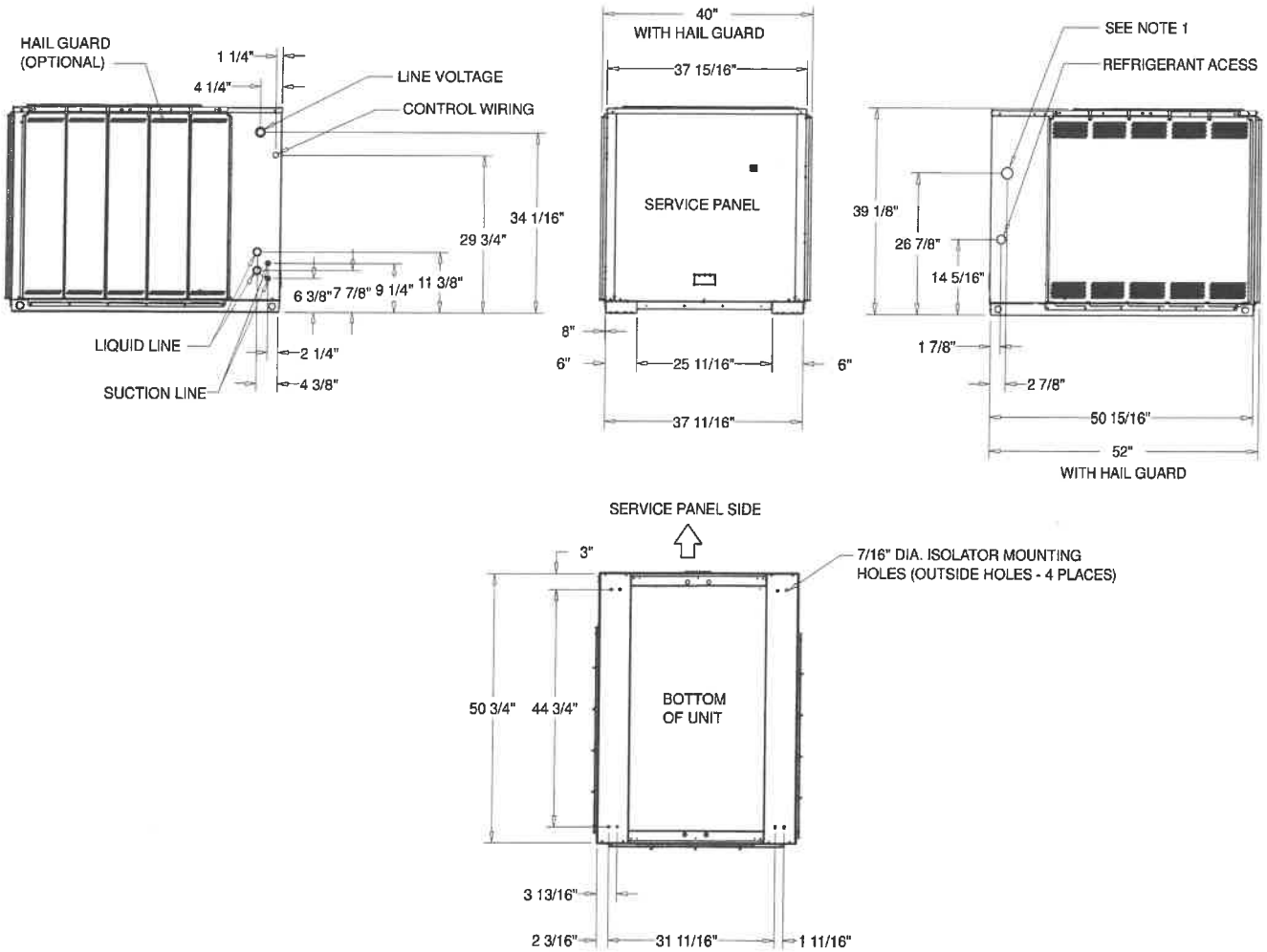
WEIGHTS AND LOAD POINT LOCATION FOR CONDENSOR

WEIGHT AND RIGGING

Unit Dimensions - Odyssey Split System Outdoor Unit
Item: B1 Qty: 1



- NOTES:
1. ACCESS OPENING IS FOR FIELD INSTALLED BAYLOAM ACCESSORY.
 2. MINIMUM CLEARANCE FOR PROPER OPERATION IS 36" FROM WALLS, SHRUBBERY, PRIVACY FENCES ETC. MINIMUM CLEARANCE BETWEEN ADJACENT UNITS IS 72". RECOMMENDED SERVICE CLEARANCE 48"
 3. TOP DISCHARGE AREA SHOULD BE UNRESTRICTED FOR 100" MINIMUM. UNIT SHOULD BE PLACED SO ROOF RUN-OFF WATER DOES NOT POUR DIRECTLY ON UNIT
 4. OUTDOOR AIR TEMPERATURE SENSOR OPENING (DO NOT BLOCK OPENING).



10 TON COOLING CONDENSER (DUAL COMPRESSOR)
 DIMENSIONAL DRAWING

Unit Dimensions - Odyssey Split System Outdoor Unit
Item: B1 Qty: 1

ELECTRICAL DATA CONDENSER

ELECTRICAL DATA Model: TTA12043D Unit Operating Voltage: 187 - 253 Minimum Circuit Ampacity: 41.0 Maximum Fuse Size: 50.0 Maximum Circuit Breaker: 50.0	COMPRESSOR MOTOR No.: 2 Volts: 208-230 Phase: 3 Amp-RLA: 16.20/16.2 Amp-LRA: 110.0/110.0	CONDENSER FAN MOTOR No.: 1 Volts: 208-230 Phase: 1 Amp-FLA: 5.0 Amp-LRA: 14.4
---	--	---

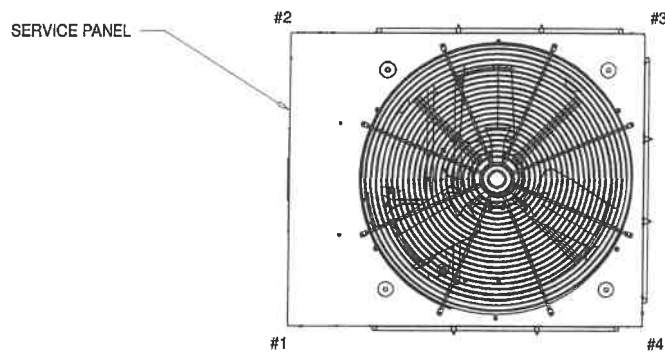
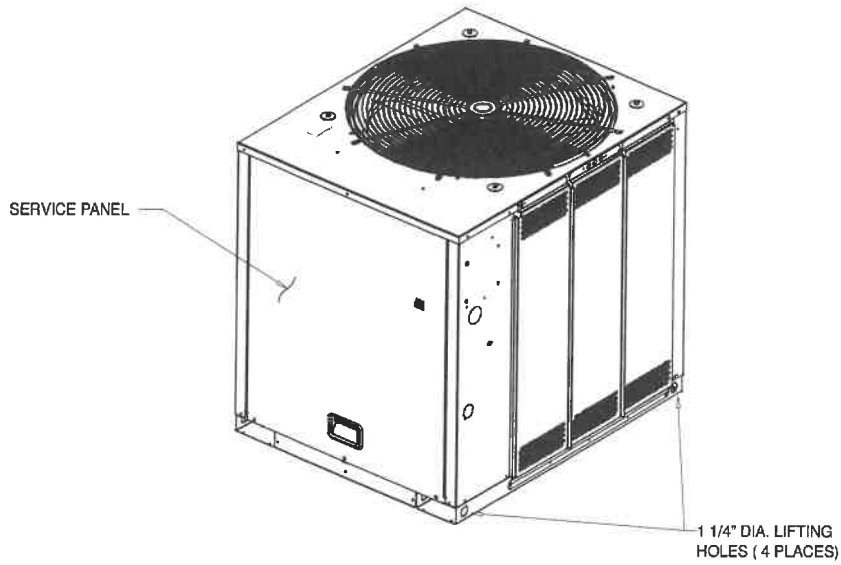
GENERAL DATA CONDENSER

COOLING PERFORMANCE (1)(2)(3)(4)(5) Matched Air Handler: TWE1204*B* Condensing Unit Only: 110,000 ARI Net Cooling Capacity: 116,000 Matched Air Handler (EER): 11.4 Condensing Unit Only (EER): 12.7 System KW: 9.9 Condensing Unit KW: 9.2 System IEER: 12.9	COMPRESSOR Number: 1 No. Compressor / Tons: 2/4.3 SYSTEM DATA (7) No. Refrigerant Circuits: 2 Suction Line (in.) OD: 1 1/8" Horizontal & Vertical Liquid Line (in.) OD: 1/2"
OUTDOOR COIL Tube Size (in.) OD: 1 13/16" Face Area (sq. ft.): 23 13/16" Rows/FP: 1/23 13/16" 22 11/16" 1/23	OUTDOOR FAN No. Used/Diameter (in.): 1 / 28" Drive Type/No. Speeds: DIRECT / 1 No. Motors/HP: 1 / 1 Motor RPM: 1,100
REFRIGERANT CHARGE (Fld Supplied) (7)(8) TYPE: R-410A (Circuits #1): 8.2 lb (Circuits #2): 8.4 lb	

NOTES:

- Cooling performance is rated at 95 F ambient, 80 F entering dry bulb, 67 F entering wet bulb. Gross capacity does not include the effect of fan motor heat. AHRI capacity is net and includes the effect of fan motor heat. Ratings shown are tested and certified in accordance with AHRI Standard 340/360 or 365 certification program.
- Standard 340/360 or 365 certification program.
- Condensing Unit Only Gross Cooling Capacity rate at 45 F saturated suction temperature and at 95 F ambient.
- ARI Net Cooling Capacity is calculated with matched blower coil and 25 ft. of OD interconnecting tubing. EER is rated at AHRI conditions and in accordance with DOE test procedures.
- Integrated Part Load Value is based on AHRI Standard 340/360 or 365. Units are rated at 80 F ambient, 80 F entering dry bulb, and 67 F entering wet bulb at AHRI rated CFM.
- Sound Rating shown is tested in accordance with AHRI Standard 270.
- Refer to refrigerant piping program for line sizing and line length.
- Refrigerant (operating) charge is for condensing unit (all circuits) with matching blower coils and 25 ft. of interconnecting refrigerant lines. All units are shipped with a small nitrogen holding charge only.

Weight, Clearance & Rigging Diagram - Odyssey Split System Outdoor Unit
Item: B1 Qty: 1



WEIGHTS AND CORNER WEIGHTS

Shipping:	440.0 lb
Net	383.0 lb
Corner 1:	115.0 lb
Corner 2:	168.0 lb
Corner 3:	72.0 lb
Corner 4:	52.0 lb

WEIGHTS AND LOAD POINT LOCATION

WEIGHT AND RIGGING